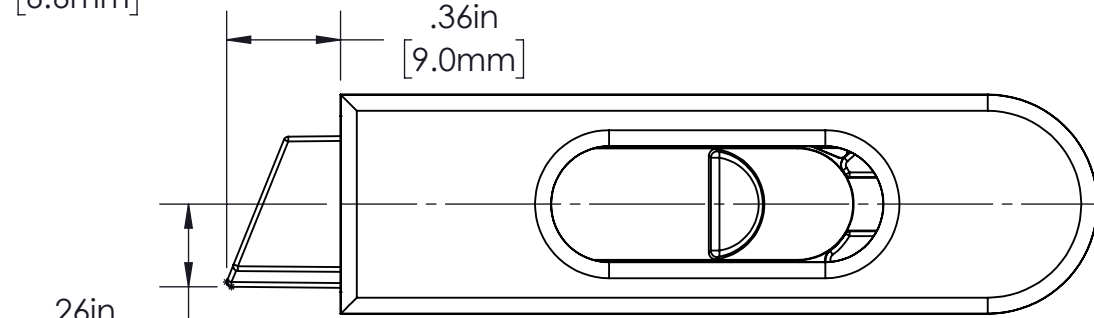
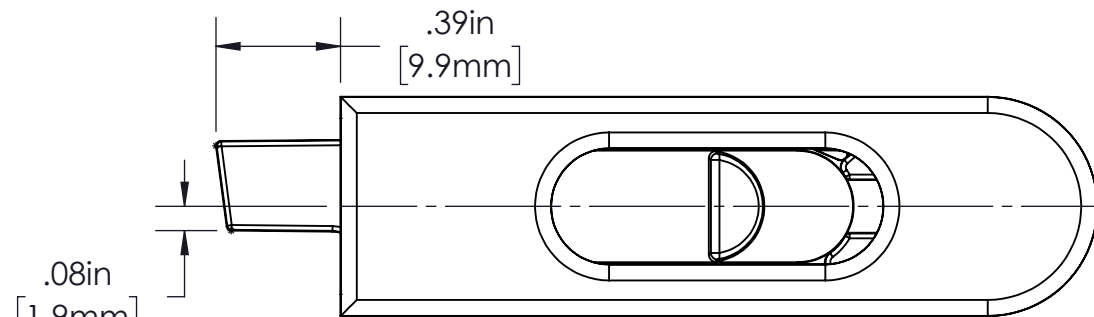


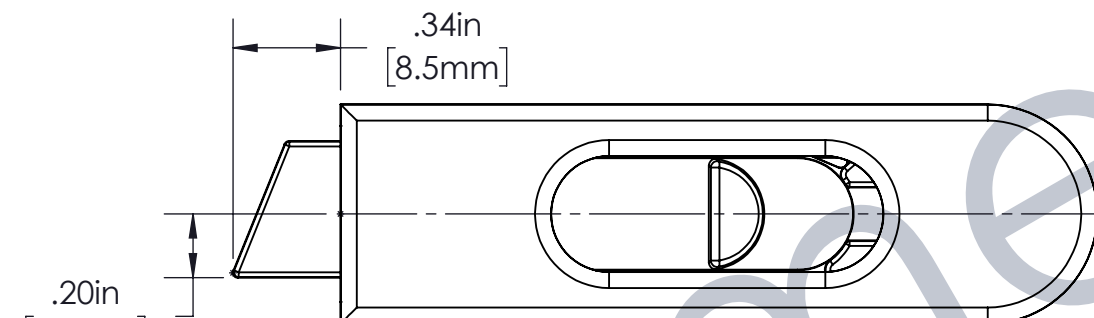
LH PART NO	RH PART NO	DIM A
10237-XX-2-L	10237-XX-2-R	1.25



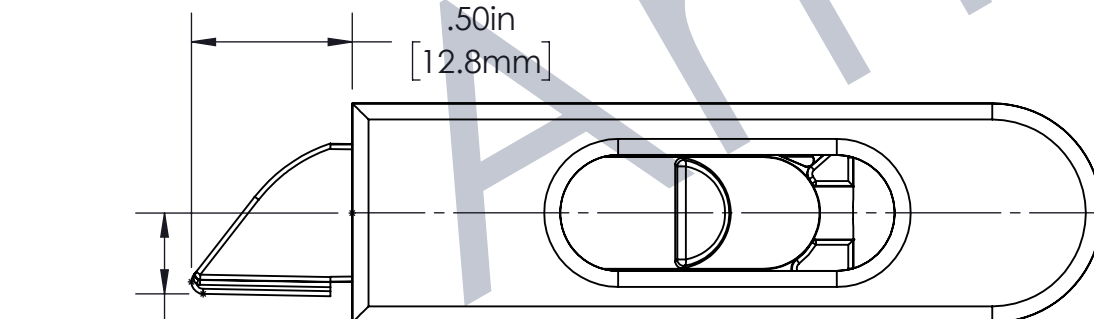
LH PART NO	RH PART NO	DIM A
10237-XX-4-L	10237-XX-4-R	1.25



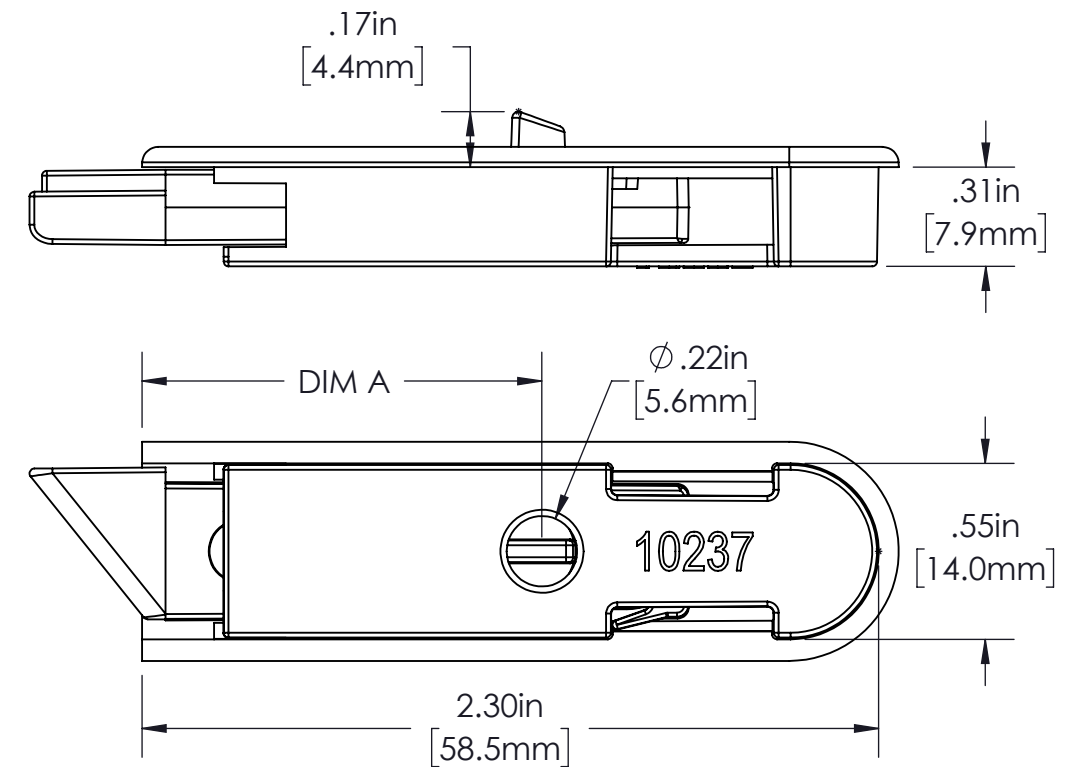
LH PART NO	RH PART NO	DIM A
10237-XX-6-L	10237-XX-6-R	1.25



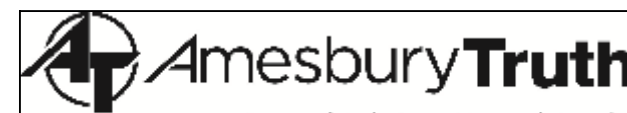
LH PART NO	RH PART NO	DIM A
10237-XX-BTM-L	10237-XX-BTM-R	1.25



LH PART NO	RH PART NO	DIM A
10237N-XX-7-L	10237N-XX-7-R	1.06



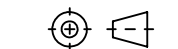
CUSTOMER PAGE



THE INFORMATION CONTAINED IN THIS DRAWING IS CONFIDENTIAL AND PROPRIETARY. THIS DRAWING IS NOT TO BE COPIED OR REPRODUCED IN WHOLE OR IN PART WITHOUT EXPRESS WRITTEN PERMISSION.

INTERPRET PER:  
ASME Y14.5M-2009  
UNITS: INCH

THIRD ANGLE  
PROJECTION



DRAWING TITLE:  
10237-10237N TILT LATCH CUSTOMER PAGE

SCALE: 5:3 SHEET 1 OF 1

DRAWING #: 10237-10237N